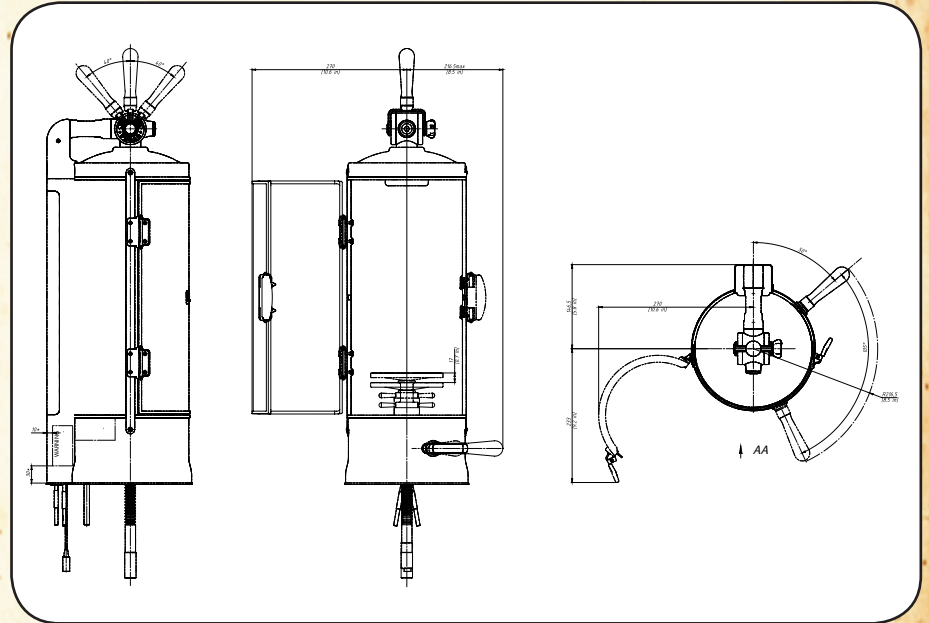


PEGAS CRAFTAP 3.0

Technical Data

PEGAS[®]
craftap



CrafTap 3.0 Specifications

Technical Data	Unit of Measure	Value
Filling Capacity (dependent on beer temp, beer quality and operator experience)	L/h (gal/h)	45-120 L/h (11.89 - 31.70)
CO² Pressure to Keg	PSI	13 - 20
CO² Flow (Rate to create counter pressure)	PSI	13-20
Outside Stainless Steel Supply Line Diameter	mm (in)	6 (.24)
Inside Stainless Steel Supply Line Diameter	mm (in)	4 (.16)
Power Requirements	(V)/(Hz)/(Amps)	100-240/50-60/0.7
Power Output (LED Lighting Source)	(V), (Amps), (Watts)	5V, 2.4A, 12w
Power Cord Length	m (ft)	1.80 (5.91)
Device Net Weight	kg (lb)	12 (25.46)



THE GROWLER STATION, INC.

19 Rancho Circle, Lake Forest, CA., 92630 ~ 949.387.5451 ~ www.growler-station.com ~ www.gsdistibutorgroup.com